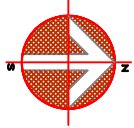
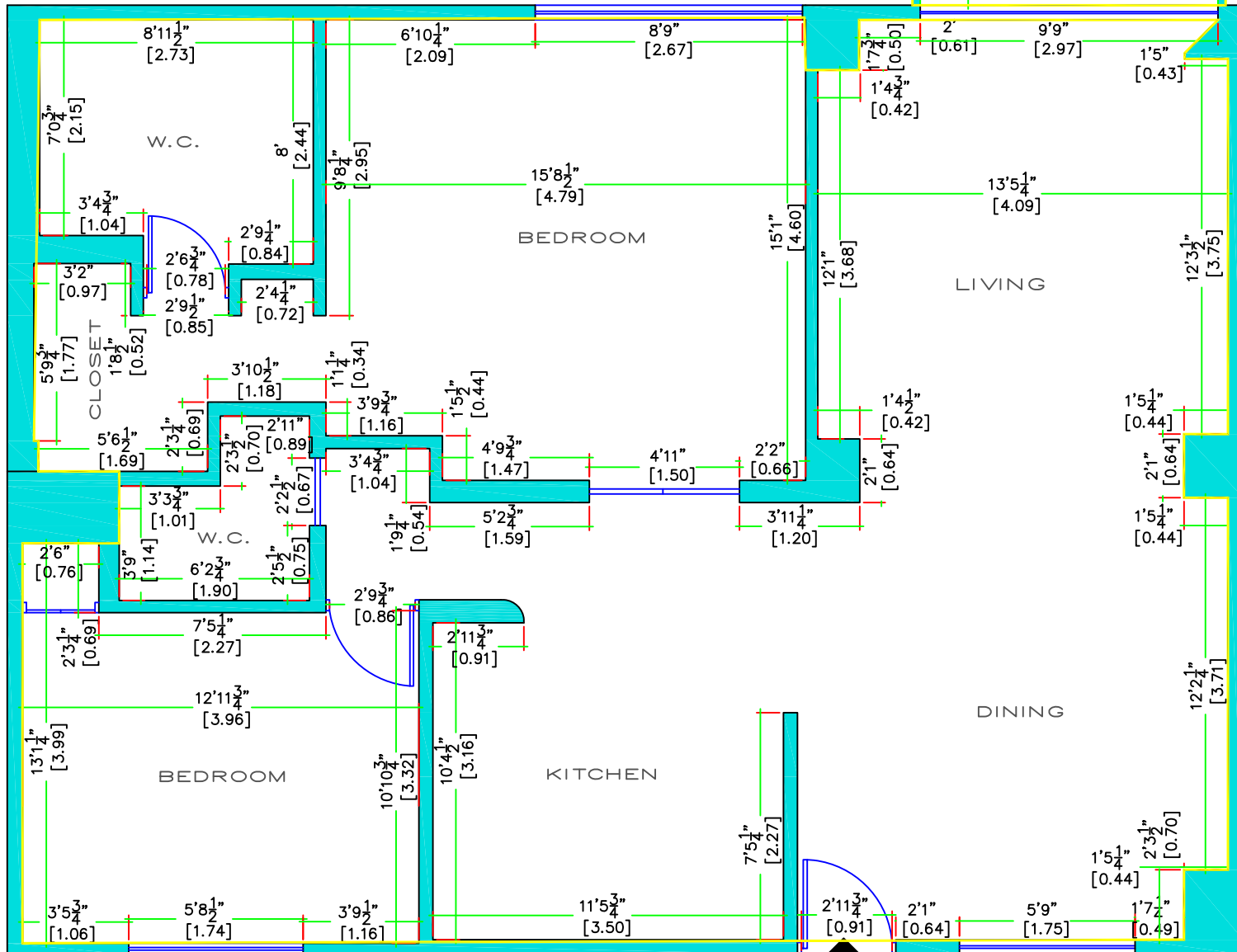
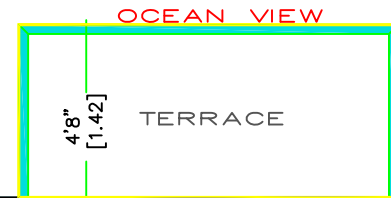


INTERIOR
AREA:
108.48 M²
1,167.73 FT²



BALCONY
AREA:
4.44 M²
47.83 FT²



ARCHITECTURAL PLAN CM-1206

MEASUREMENTS