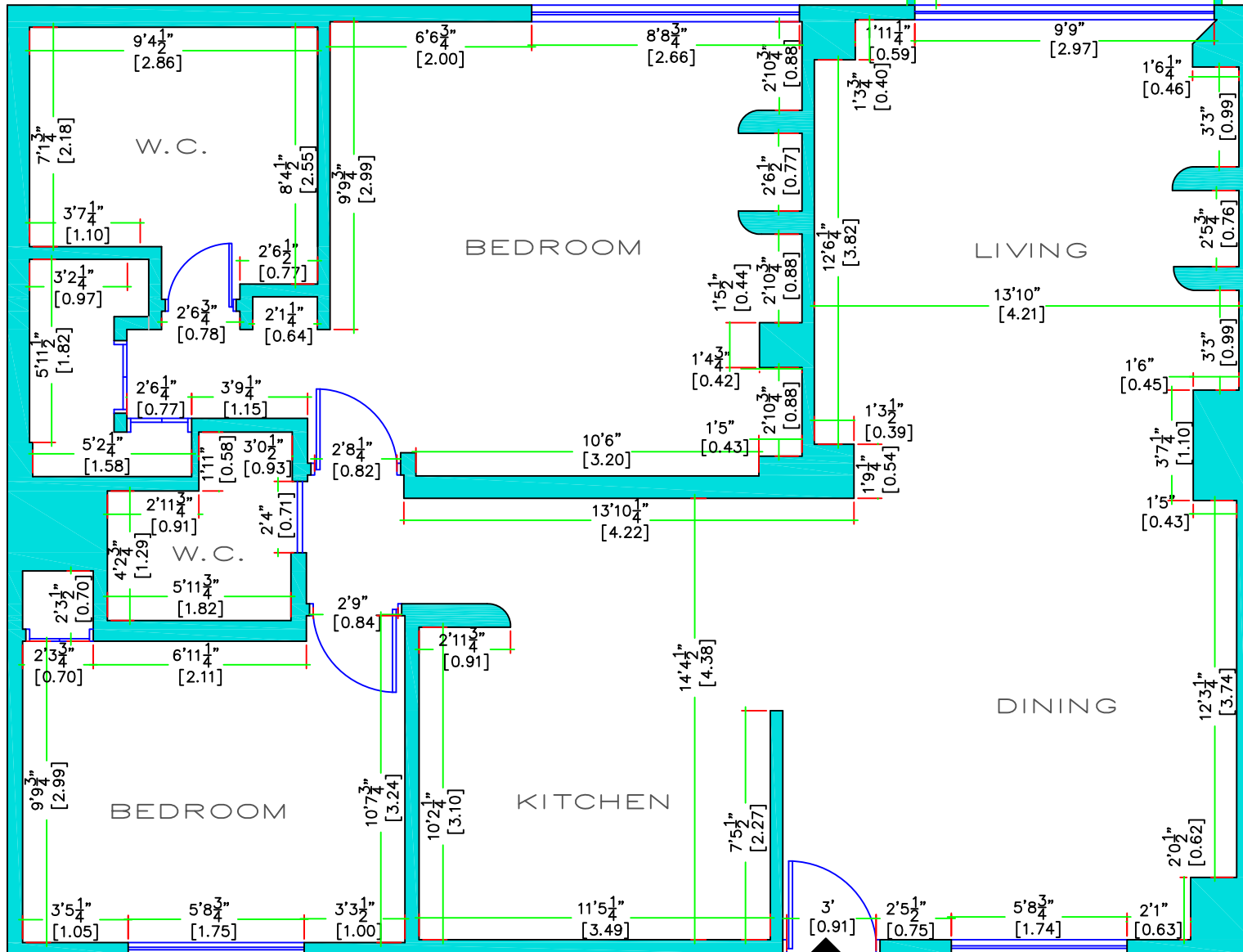
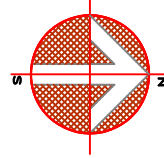


120 M²
1297 FT²



ARCHITECTURAL PLAN CM-1006
MEASURE'S